



HALO



HALO | OLE BY FM

HALO

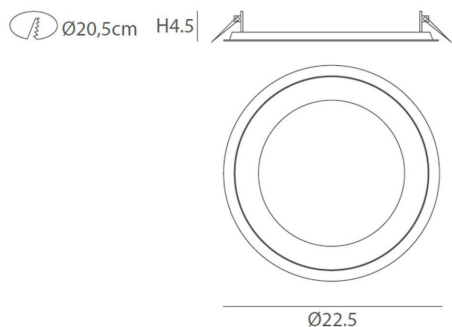
Anillos de luz de aluminio y difusor de metacrilato, empotrables de diferentes diámetros de gran versatilidad, con tecnología LED.

HALO

Rings of lights with LED technology. Versatile original compositions combining different available diameters. Recessed aluminium fitting with pmma diffuser.



HALO 1624 1623 1625



REF.
1624

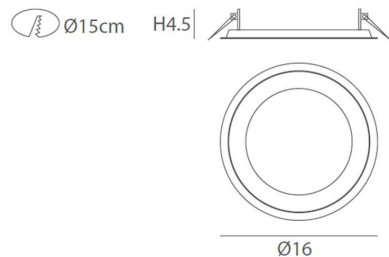
DOWNLIGHT
IP43ext IP20int

MATERIAL
Aluminio y metacrilato/
Aluminium and PMMA

ACABADO/ FINISH
Bisel blanco mate/ *Matt white frame*
Difusor satinado/ *Satinated diffuser*

INSTALACIÓN/ INSTALLATION
PCB LED 20W 700mA (V) (D) (P) (LC)
- Cálida/ *Warm* 3000K 1413lm
- Neutra/ *Neutral* 4000K 1478lm

EEL: **A**



REF.
1623

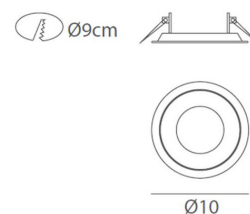
DOWNLIGHT
IP43ext IP20int

MATERIAL
Aluminio y metacrilato/
Aluminium and PMMA

ACABADO/ FINISH
Bisel blanco mate/ *Matt white frame*
Difusor satinado/ *Satinated diffuser*

INSTALACIÓN/ INSTALLATION
PCB LED 10W 350mA (D) (P) (LC)
- Cálida/ *Warm* 3000K 958lm
- Neutra/ *Neutral* 4000K 1003lm

EEL: **A**



REF.
1625

DOWNLIGHT
IP43ext IP20int

MATERIAL
Aluminio y metacrilato/
Aluminium and PMMA

ACABADO/ FINISH
Bisel blanco mate/ *Matt white frame*
Difusor satinado/ *Satinated diffuser*

INSTALACIÓN/ INSTALLATION
PCB LED 6W 350mA (D) (P) (LC)
- Cálida/ *Warm* 3000K 376lm
- Neutra/ *Neutral* 4000K 394lm

EEL: **A**



(V) dim 1-10V (D) dim DALI (P) dim PUSH (LC) dim L,C